

**THE OLD OAR HOUSE INN "AMERICAN CANCER SOCIETY" ANNUAL CHARITY RAFT RACE**

[www.oldoarhouseinn.com](http://www.oldoarhouseinn.com)

-----Trophies for winning rafts!-----

**Men's and Ladies Teams Will Compete Separately – Mixed teams will compete in the men's division**

**ENTRY FORM AND RULES:**

1. **Entry fee is \$25.00 per raft due by start of race. Enter at the Old Oar House.**
2. **Raft to be made of 10 inner tubes (any size). See construction rules, pg #2.**
3. **Teams consist of 5 members.**
4. **Only 4 paddles allowed on raft. Spare paddles carried by escort boat.**
5. **Each raft must have escort boat accompany them throughout course.**
6. **Escort boats can not interfere w/ other contestants in any way.**
7. **Race course is from Old Oar House, down left side of main channel and up Cole Camp Creek to the Cole Camp Ramp.**
8. **Disqualification can occur from touching any other boat or escort boat; by touching the bottom prior to finishing the race; or by the Missouri State Water Patrol for flagrant safety violations and unsafe acts.**
9. **Onboard life jackets are required for each member on the team.**
10. **Maximum length of raft to be 16 feet overall.**

**TEAM NAME:** \_\_\_\_\_

**MEMBERS:**

1. \_\_\_\_\_

2. \_\_\_\_\_

3. \_\_\_\_\_

4. \_\_\_\_\_

5. \_\_\_\_\_

# THE OLD OAR HOUSE INN "AMERICAN CANCER SOCIETY" ANNUAL CHARITY RAFT RACE

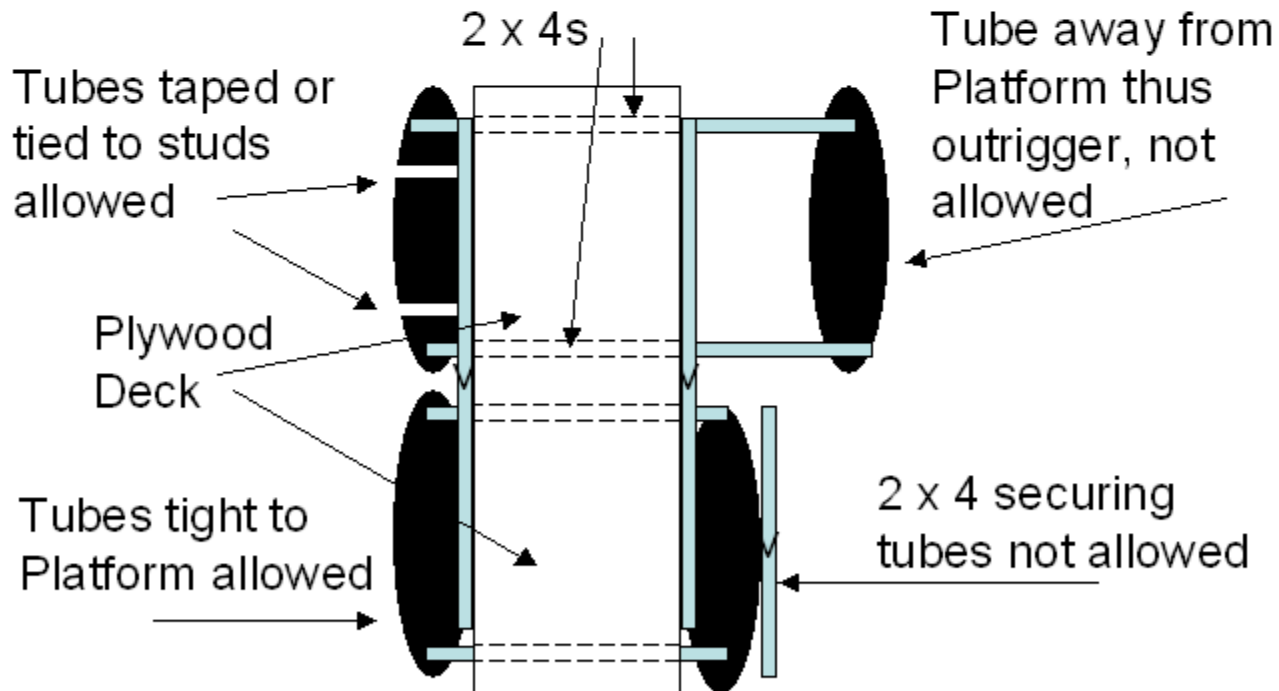
[www.oldoarhouseinn.com](http://www.oldoarhouseinn.com)

-----Trophies for winning rafts!-----

## CONSTRUCTION RULES:

1. Raft to consist of 10 tubes of any size or combination of sizes. All tubes are to be inflated. Maximum length is 16' overall.
2. Tubes may be taped or tied together to form raft.
3. Plywood or other wood type deck allowed.
4. Framework of minimum wooden construction to hold top deck only allowed.
5. No framework is allowed under or around tubes to hold raft shape.
6. No exterior covering other than top deck (see #3) permitted.
7. No tillers or rudders are permitted.
8. No oarlocks are permitted.
9. Paddles must be standard canoe type, no oars.

## TYPICAL CONSTRUCTION—Allowed and Disallowed



All Team members and escort boat operators do, by entering, release The Old Oar House, American Cancer Society, Cole Turkey, and other sponsors or individuals from all responsibility for injury either for bodily or property during this event.

Signed \_\_\_\_\_